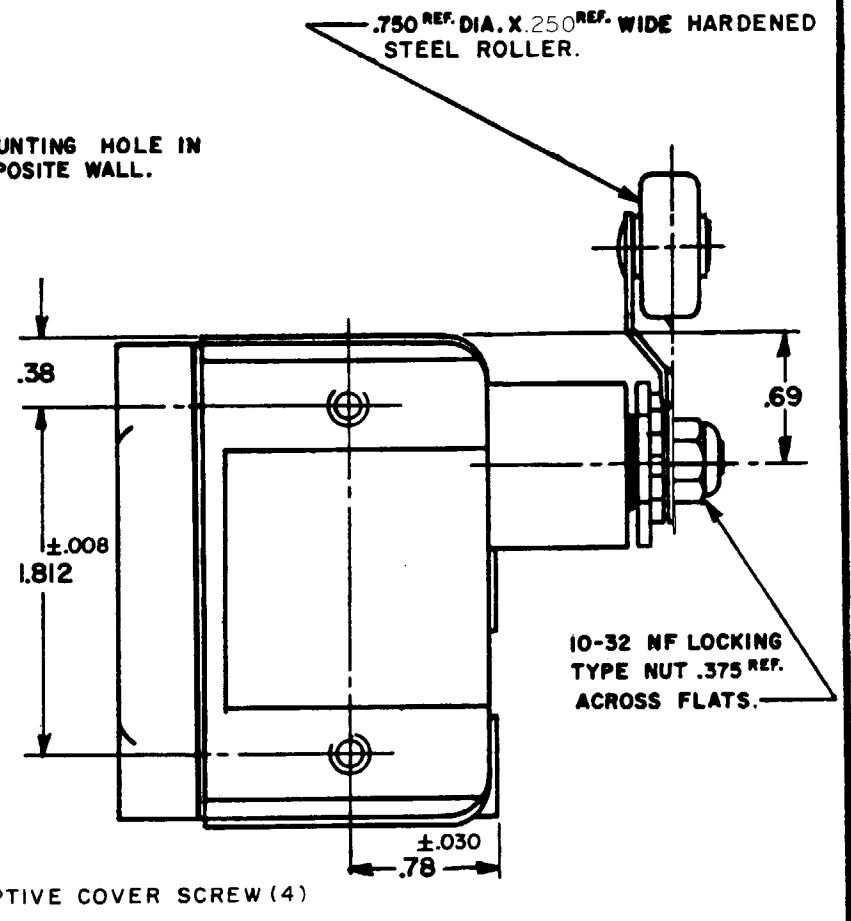
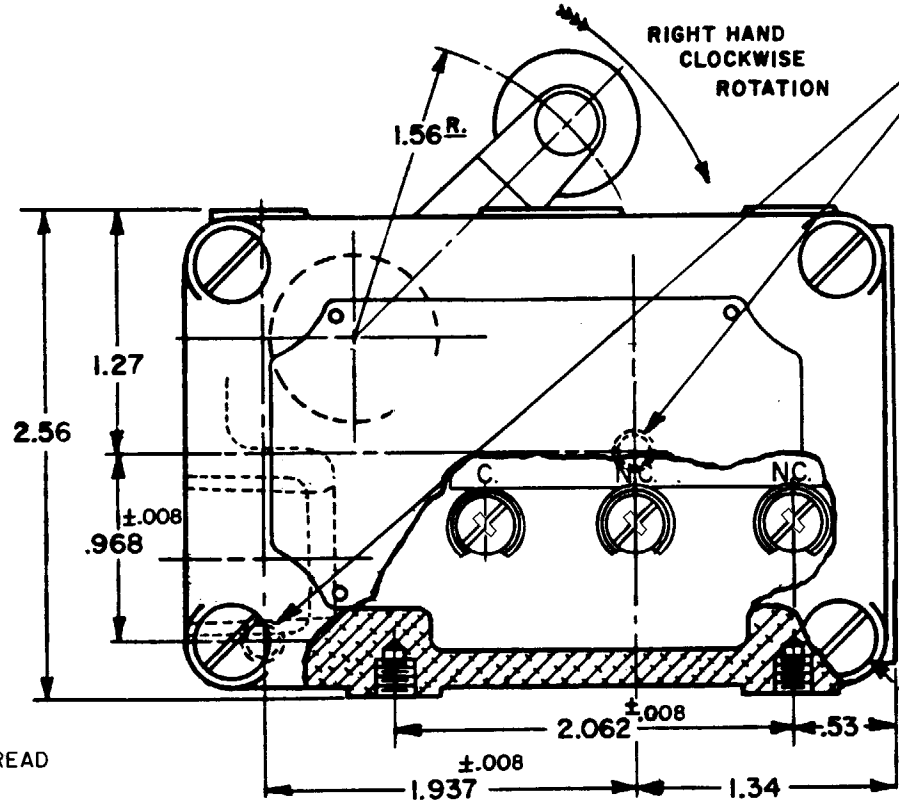
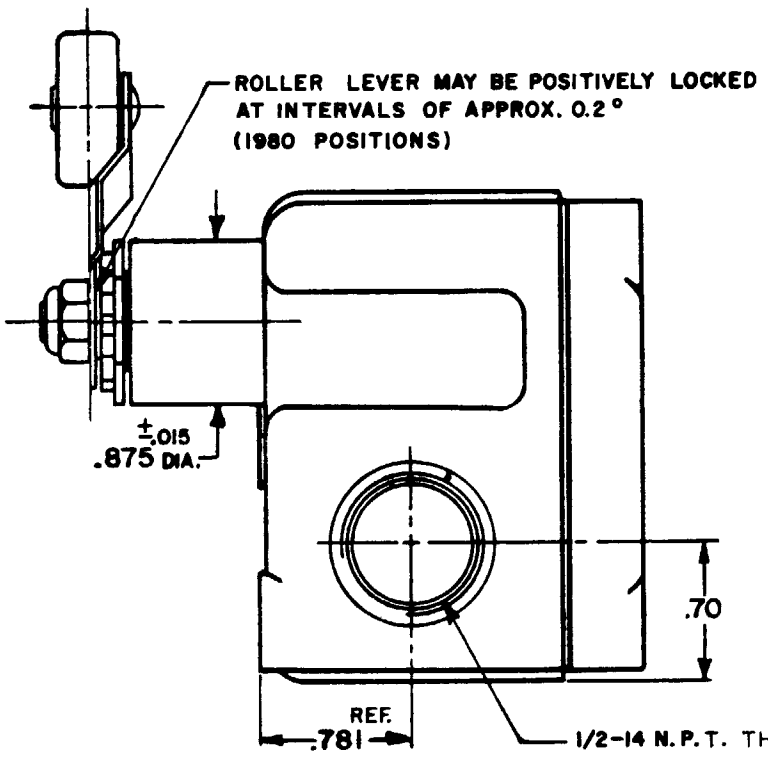
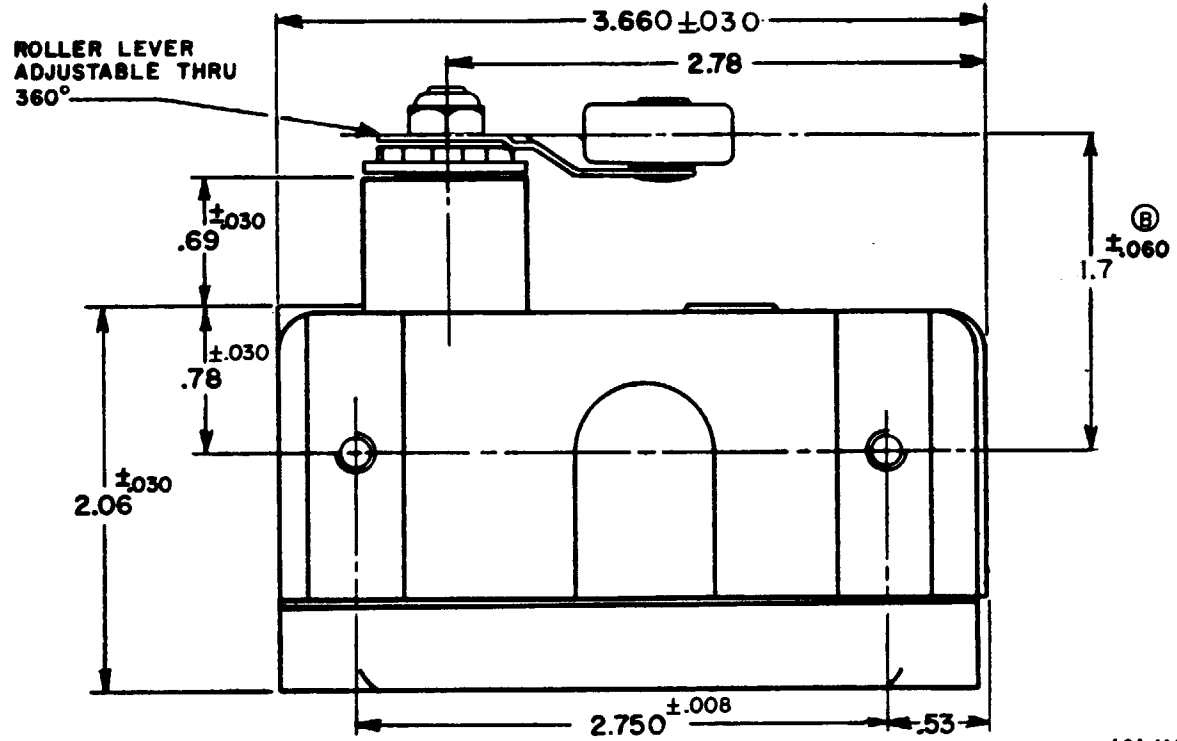


**MICRO SWITCH**  
A DIVISION OF AMNELOPS-HONEYWELL REGULATOR COMPANY  
PROSPER, ILLINOIS  
FED. MFR. CODE 91929

**SWITCH-ENCLOSED**



(M) OP-AR62 ISSUE 2  
 OP-AR62  
 M  
 DRAWING NUMBER  
 ISSUE  
 REVISIONS  
 A C.O. 9182 C.M.A. 28 AUG 85  
 B C.O.11034 K.A.F. 13 DEC 88  
 C C.O.13827 NHL 16 JULY 89  
 D C.O.17653 C.O.16851 M.B.F. 10 DEC 82  
 E C.O.19878 M.B.F. 22 NOV 86  
 F C.O.26103 D.L.F. 21 JUL 85  
 G C.O.55987 J.A.S. 5 NOV 84  
 H C.O.55031 J.A.S. 26 APR 85  
 J C.O.73344 G.J.W. 2 OCT 92  
 K C.O.81637 G.L.H. 19 MAR 98  
 C.M.A. 26 AUG 95  
 74-96.3

CHARACTERISTICS	ELECTRICAL DATA	SCALE FULL
OPERATING FORCE ----- 1/2-1 1/4 LBS.	CONTACT ARRANGEMENT S. P. D.T.	DO NOT SCALE PRINT
RELEASE FORCE ----- 1/4 LB. MIN.	-L96- 15 A-125, 250, OR 480 VAC 1/2 A-125 VDC; 1/4 A-250 VDC 1/8 HP-125 VAC; 1/4 HP-250 VAC	UNLESS OTHERWISE SPECIFIED DIMENSIONS ARE IN INCHES
PRETRAVEL ----- .219 MAX. 8°		TOLERANCES ARE:
DIFFERENTIAL TRAVEL ----- .007 MAX. 1/4°		ONE PLACE (.0) ±.030
OVERTRAVEL ----- DO NOT OVERTRAVEL MORE THAN 90°		TWO PLACE (.00) ±.018
BASIC SWITCH REPLACEMENT BZ-2R-P4		THREE PLACE (.000) ±.008
		ANGLES ±
		WEIGHT

NOTE -  
 1-(8) MOUNTING SCREW HOLES, 10-32 NF-2B THREADS X .219 REF. DEEP.  
 2-8-32 NC X .219 REF. BINDER HEAD TERMINAL SCREWS AND CUPWASHERS  
 3-SEALED CONSTRUCTION PROVIDES SPLASH RESISTANCE.